

Wing AR

PENDANT



SPECIFICATION SHEET

Wing AR



Model 1821

Type

P Pendant

Size

26 26.0" [660mm]
37 37.0" [940mm]
49 49.0" [1245mm]
Custom

Wattage ^{1,2}

26"
L 6W (800lm)
M 12W (1485lm)
37"
L 9W (1200lm)
M 18W (2230lm)
49"
L 12W (1600lm)
M 24W (2970lm)

Color Temp ³

30 3000
35 3500
40 4000

Voltage

U 120/277 Volt
1 120 Volt (DFPN only – see section Control)

Driver

RD Remote

Control - RD

S Non-dim
D010 0-10V 10%
DFPN Lutron Forward Phase 1% 120 Volt
L3DAE Lutron Hi-lume 1% EcoSystem
L3DOE Hi-lume Premier 0.1% EcoSystem

Diffuser ⁴

SW Satin opal acrylic

Finish ⁵

19 Painted anodized aluminum - RAL 9006 matte
21 Painted white - RAL 9010 matte
26 Painted black - RAL 9005 matte
22 Painted custom color

Mounting

SC Straight cables

Power Cable ⁶

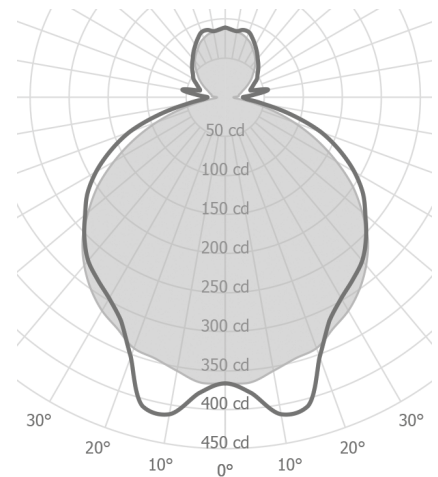
CC Clear insulated cable (standard)
WC White cable
BC Black cable

Notes

- 1 Nominal lumens value specified
- 2 Linear LED board, constant voltage 24 Volt
- 3 90+ CRI standard
- 4 Reflector is opal acrylic
- 5 Canopy finish matches housing
- 6 96" standard cable length

Example fixture number:

1821 - P - 49 - L - 30 - U - RD - S - SW - 19 - SC - CC





Wing AR

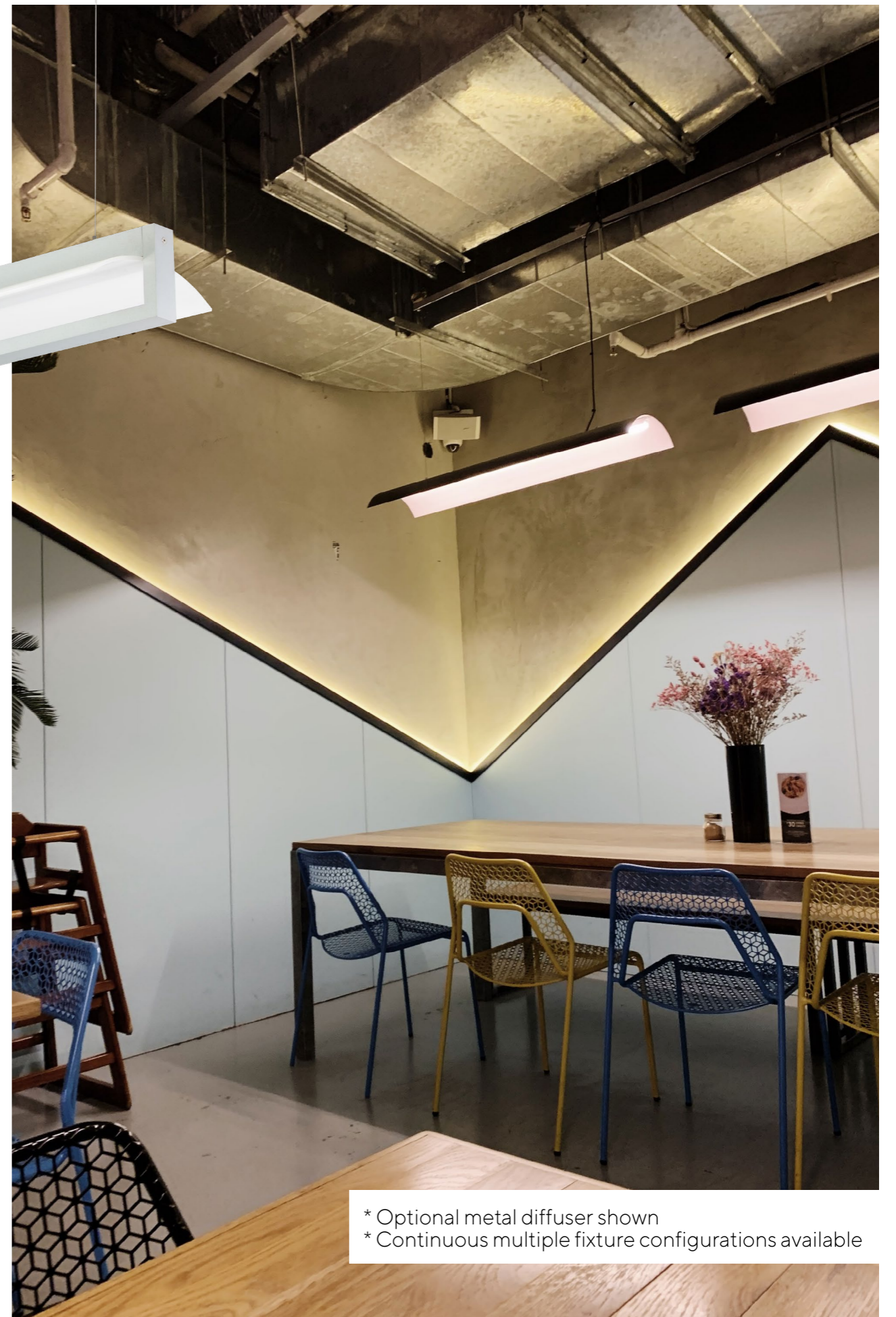
PENDANT

Wing AR, pendant, or surface mounted fixture provides glare-free Direct / Indirect illumination from a simple architectural shape.

A symmetrical, translucent reflector directs light down as well as allows light to softly illuminate the ceiling above.



Size
26 26" [660mm]
37 37" [940mm]
49 49" [1245mm]
Custom



* Optional metal diffuser shown
* Continuous multiple fixture configurations available

Wing AR

PENDANT



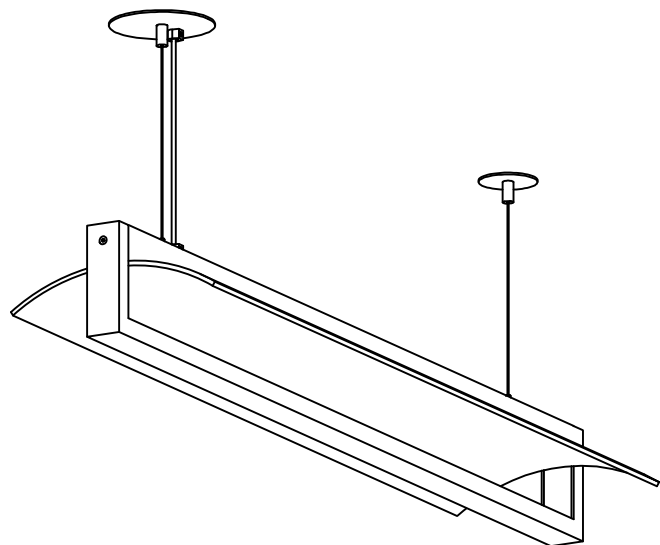
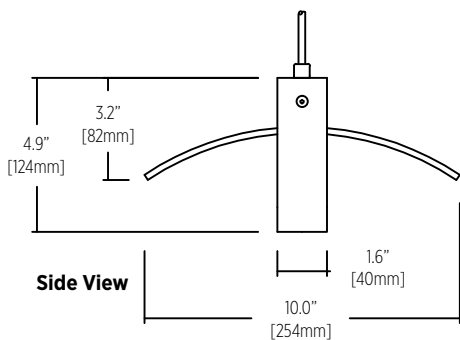
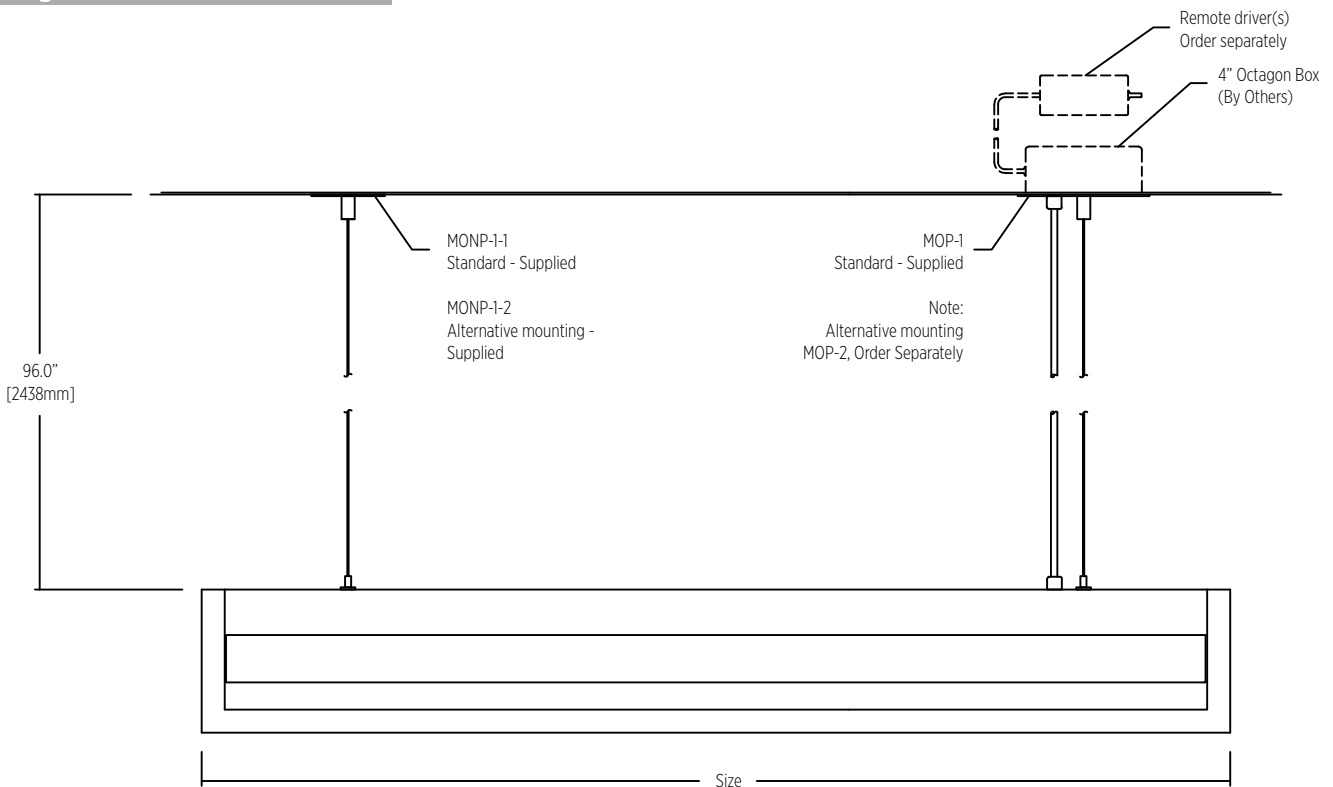
SPECIFICATION SHEET

Wing AR



INSTALLATION TYPE

Straight cables with remote driver



Wing AR

PENDANT



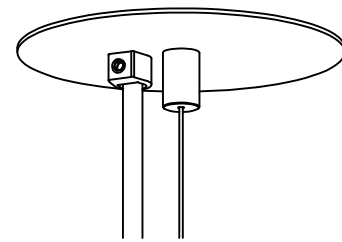
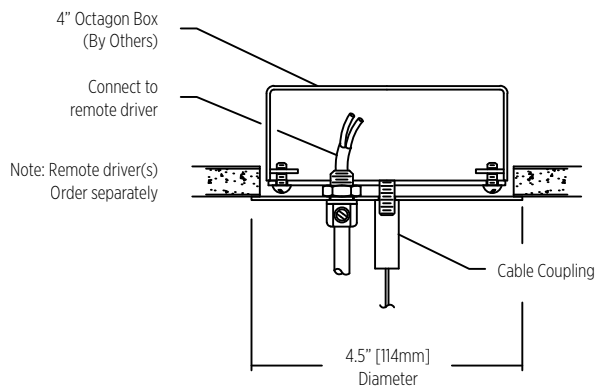
SPECIFICATION SHEET

Wing AR



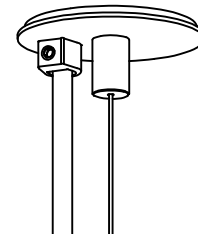
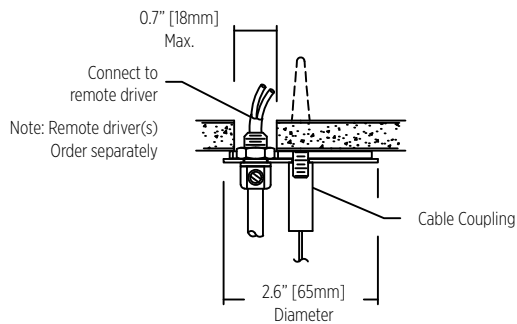
STRAIGHT CABLES MOUNTING OPTION - POWER

MOP-1 Standard - Supplied



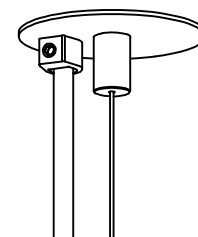
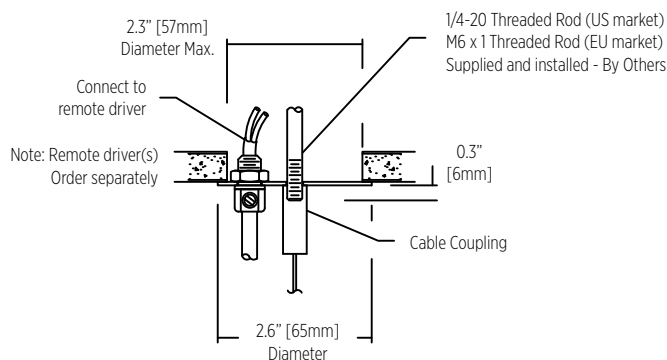
Mounting Option Power 1
Octagon Box (By Others)
Installed in drywall, wood or concrete ceiling

MOP-2-1 Order Separately



Mounting Option Power 2-1
Suspension assembly
Installed in drywall or wood ceiling

MOP-2-2 Order Separately



Mounting Option Power 2-2
Suspension assembly
Installed in drywall or wood ceiling

Wing AR

PENDANT

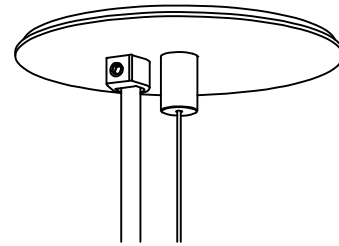
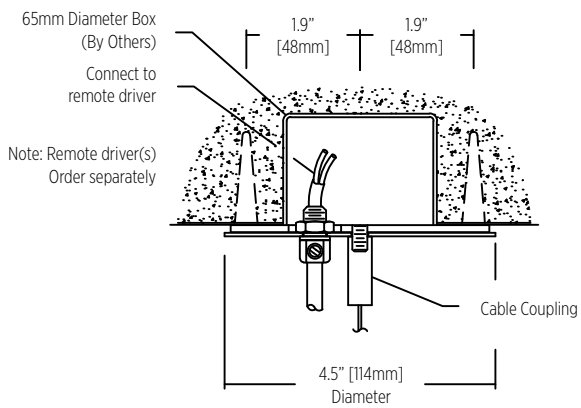


SPECIFICATION SHEET

Wing AR

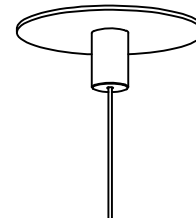
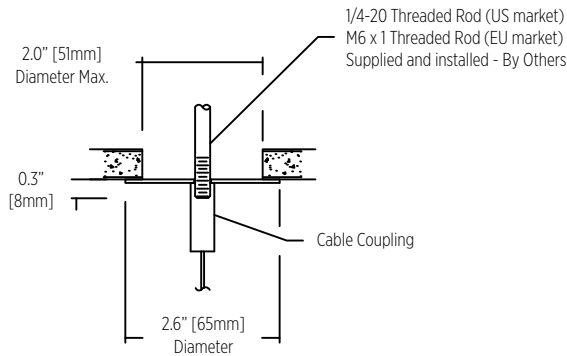


MOP-3 Order Separately



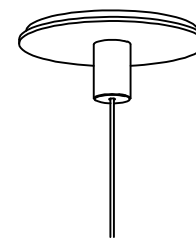
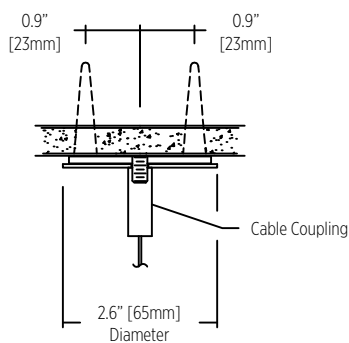
Mounting Option Power 3
65mm Diameter Box (By Others)
Installed in drywall, wood or concrete ceiling

MONP-1-1 Standard - Supplied



Mounting Option - Non Power
Threaded Rod installed
to structural ceiling (By Others)

MONP-1-2 Alternative - Supplied



Mounting Option - Non Power
Suspension Assembly
Installed in drywall, wood or concrete ceiling

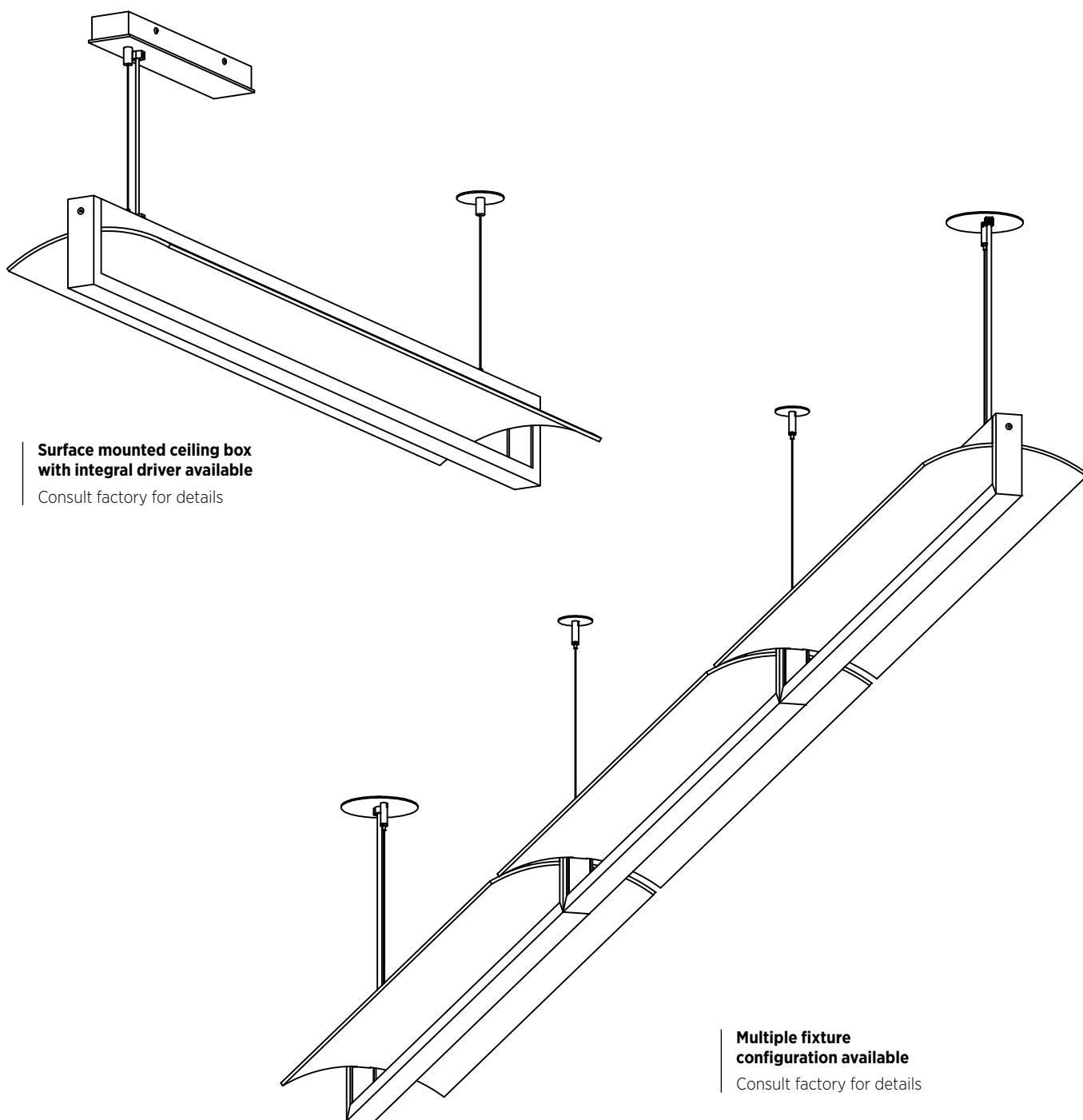
Wing AR

PENDANT

SPECIFICATION SHEET



Wing AR



Surface mounted ceiling box with integral driver available

Consult factory for details

Multiple fixture configuration available

Consult factory for details